

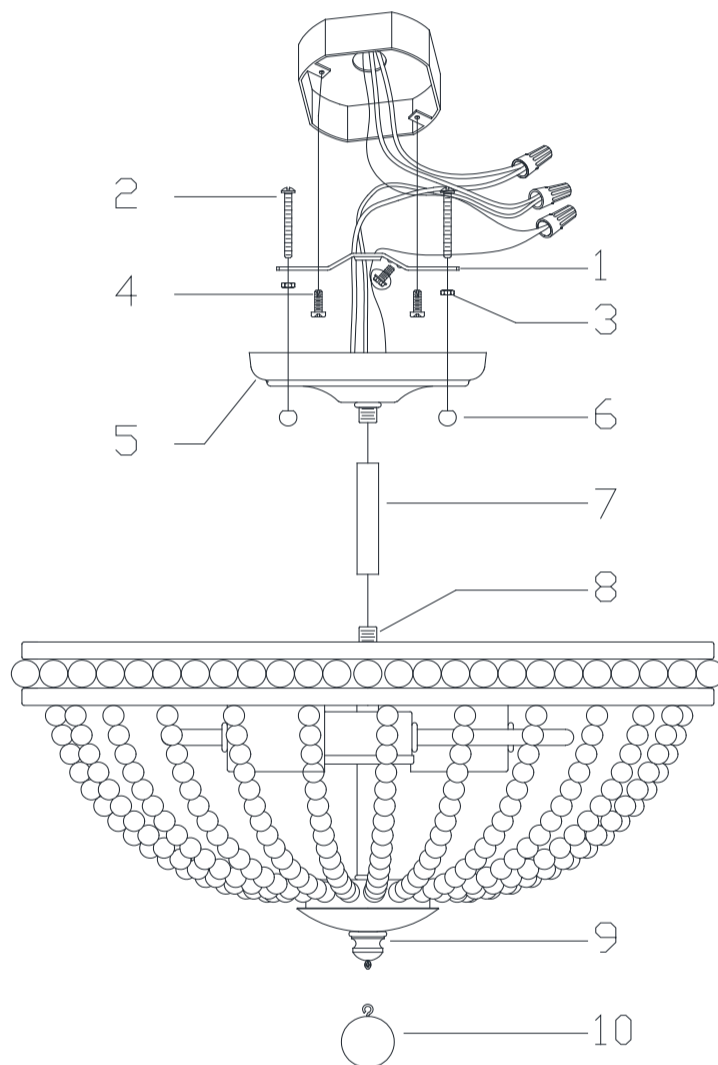


LIGHTING FIXTURE COMPANY

ASSEMBLY AND INSTALLATION INSTRUCTIONS for the **229521** Fixture

Important Safety information (Please read before proceeding)

1. Remove the fixture, parts and all mounting hardware bags (orange) from the carton and verify that all parts are present according to the illustration sheet. All parts must be used as indicated. Do not replace any parts, leave any parts out, or use any parts which are worn out or broken. **Failure to follow the instructions could cause a hazardous situation, voids the warranty and violates the U.L. listing of the fixture.**
2. To prevent the electric shock, turn off the main power at the circuit breaker before installing the fixture. **NEVER attempt to install, clean or replace bulbs without shutting off the electricity to the fixture.**
3. **Never use light bulbs with wattage ratings that exceed the fixtures maximum rating.** Always make sure the electric current is turned off before changing the bulbs.
4. If you experience difficulties installing the lighting fixture or it fails to work as expected, please contact a local qualified licensed electrical contractor.
5. Please contact your local Capital Lighting Fixture reseller with any assembly or installation questions. Your local reseller can also provide you with replacement parts for your new fixture.



Components

1. Mounting Bar w/Green Screw
2. Mounting Screws
3. Hex Nuts (8/32)
4. Outlet Box Mounting Screws
5. Canopy
6. Ball Knobs
7. Center Tube
8. Fixture
9. Finial
10. Wood Ball

Assembly Instructions for the 229521 fixture

1. Pass lead wire from top of Fixture (8) through Center Tube (7) and Canopy (5), then fasten them together tightly.
2. Find appropriate threaded holes on Mounting Bar (1), and assemble Mounting Screws (2) into threaded holes with Hex Nuts (3).
3. Attach Mounting Bar (1) to Outlet Box with Outlet Box Mounting Screws (4).
4. Raise Fixture (8) toward outlet box, then connect fixture ground wire to outlet box ground wire with wire connector supplied; connect white fixture wire to the white power supply wire with wire connector supplied; connect black fixture wire to the black power supply wire with wire connector supplied.
5. Push Canopy (5) to ceiling, carefully passing Mounting Screws (2) through holes in Canopy (5), then verify all wires are securely inside Canopy (5). Finally, secure Canopy (5) to ceiling with Ball Knobs (6).
6. Hang Wood Ball (10) onto end of Finial (9) as the illustration shown.